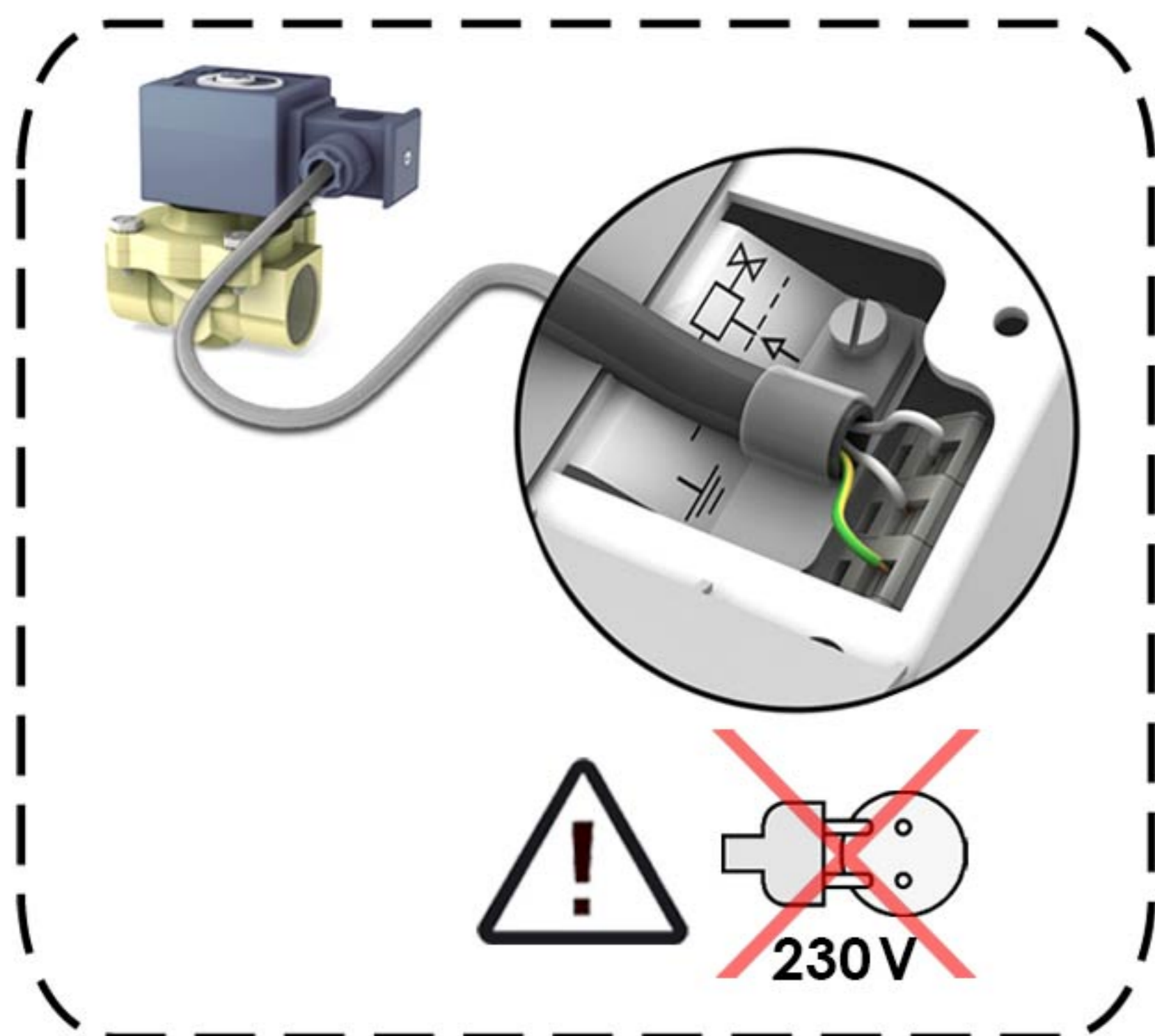
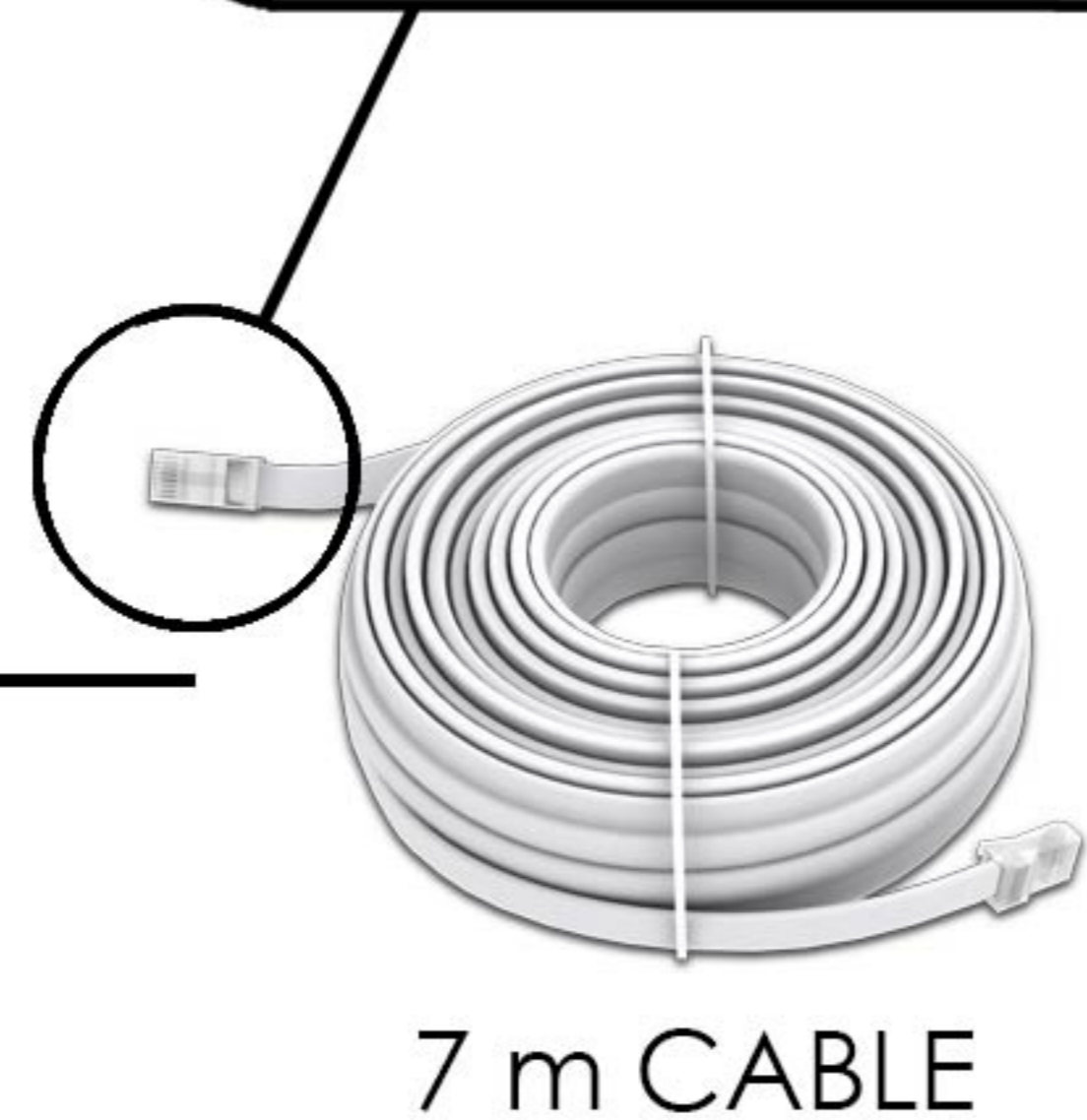
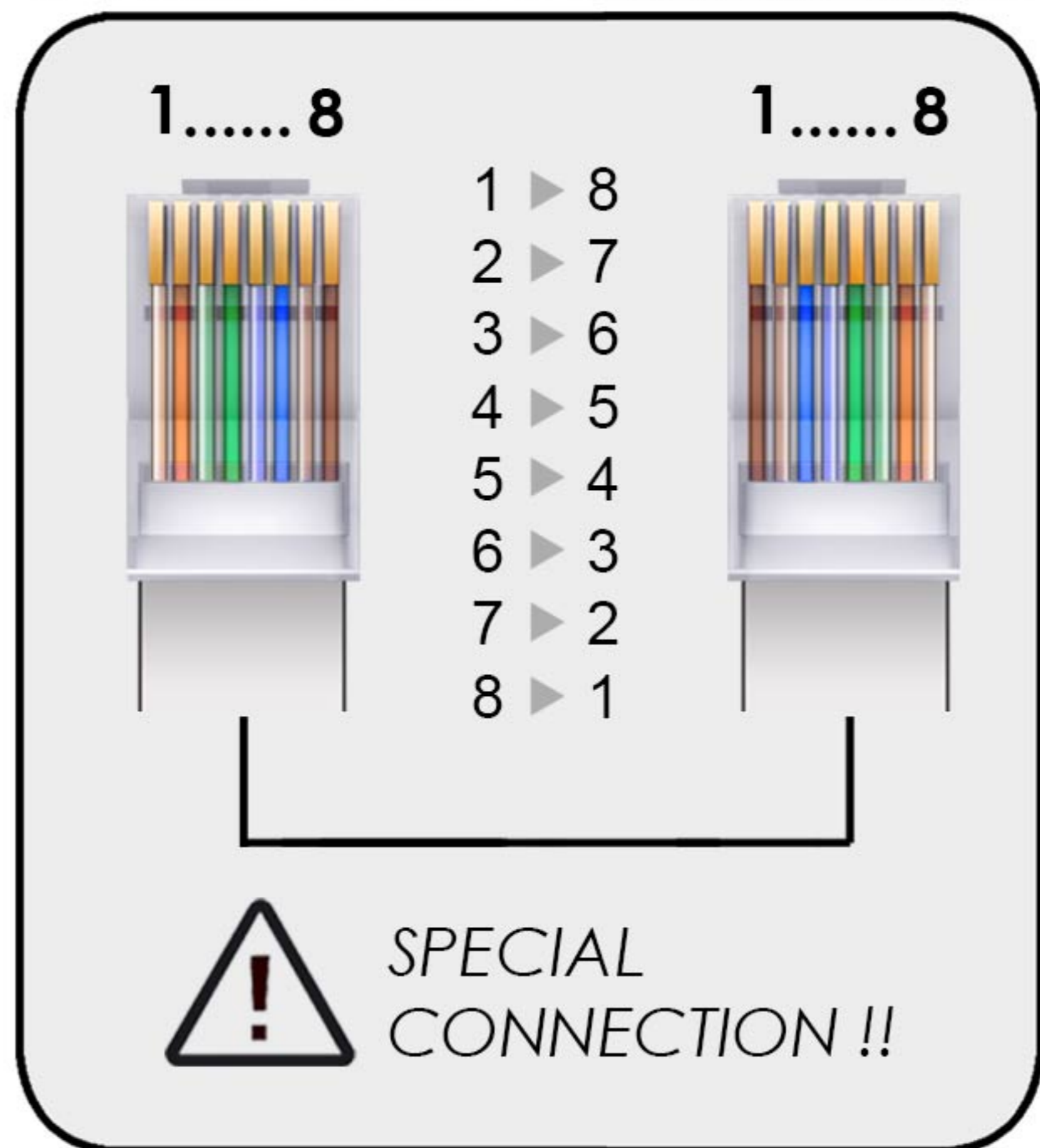


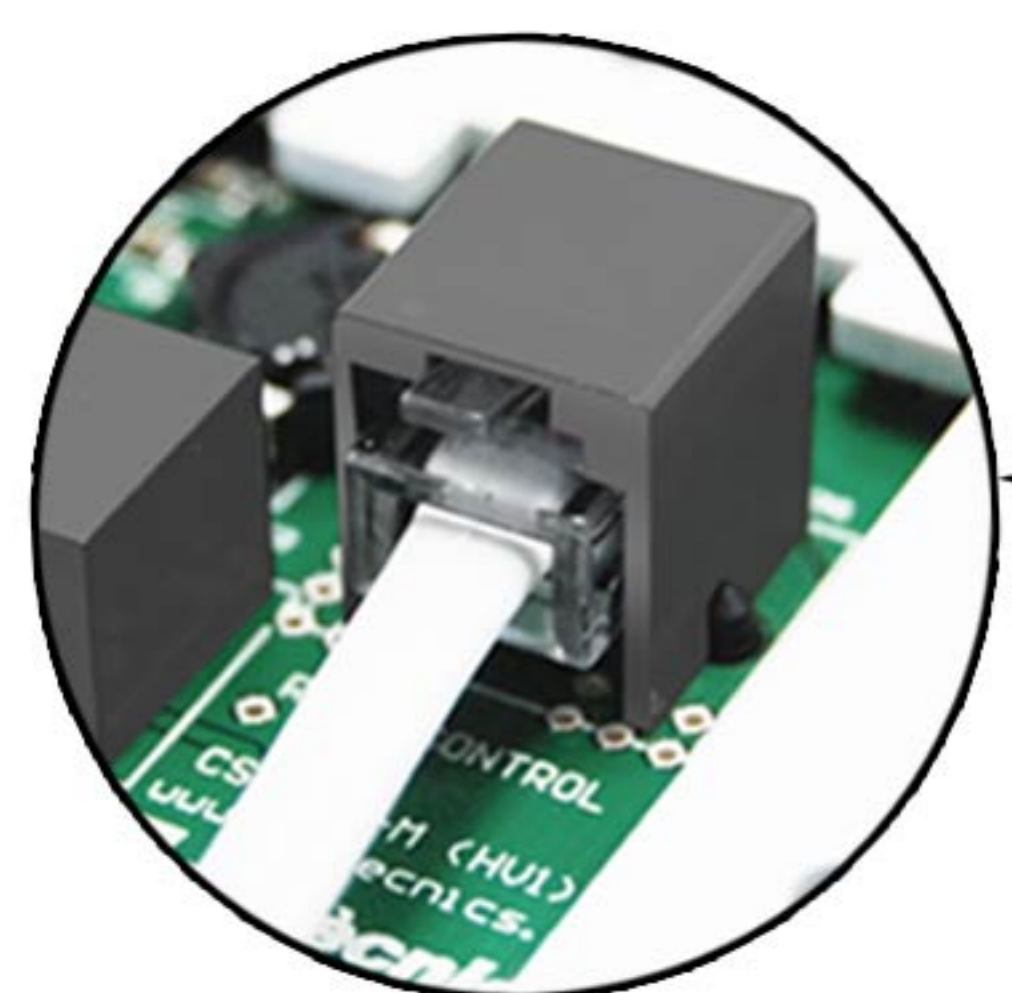
**OPTIONAL SOLENOID VALVE**



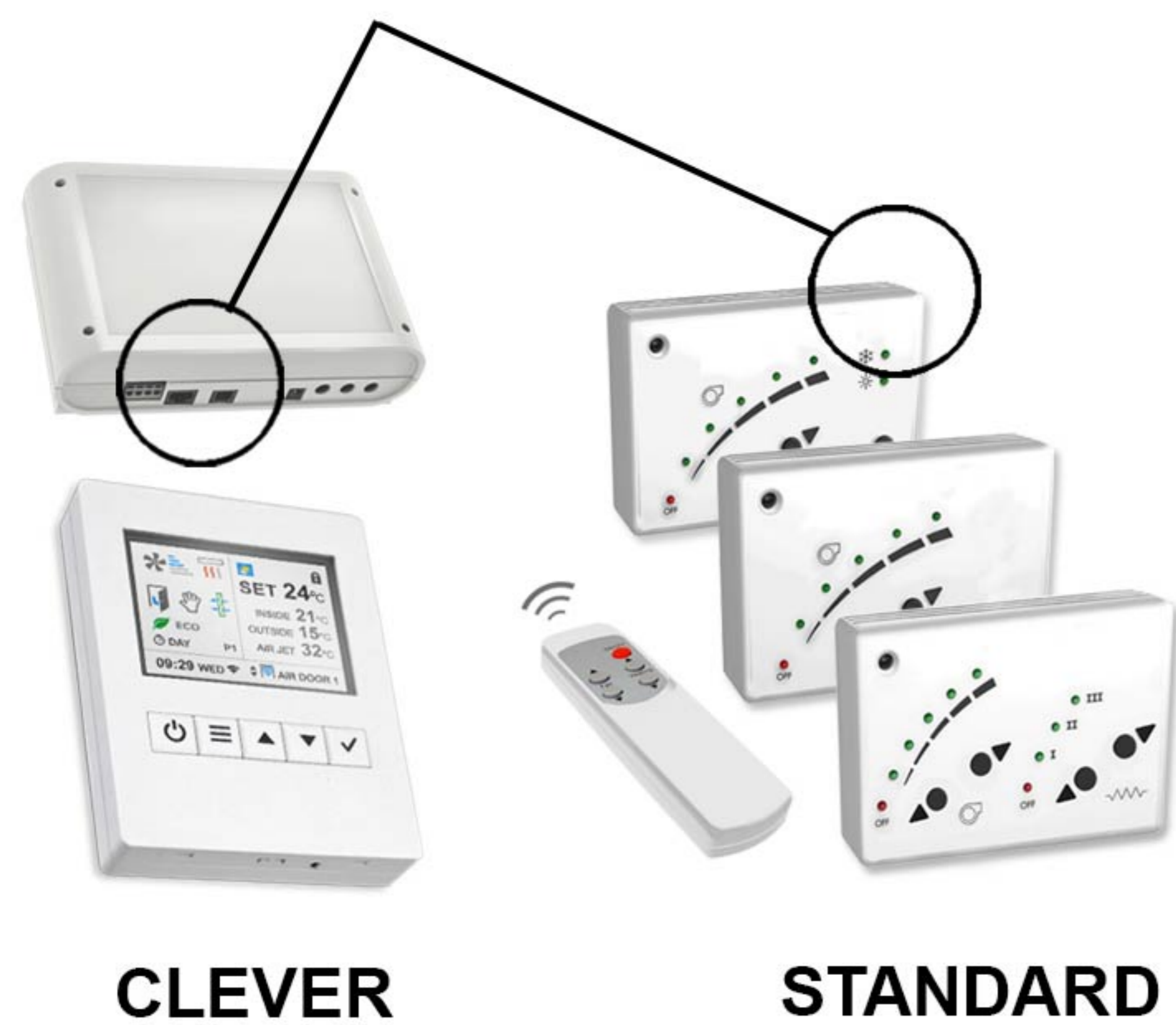
**8 PINS CONNECTORS RJ45**



7 m CABLE



CONTROL

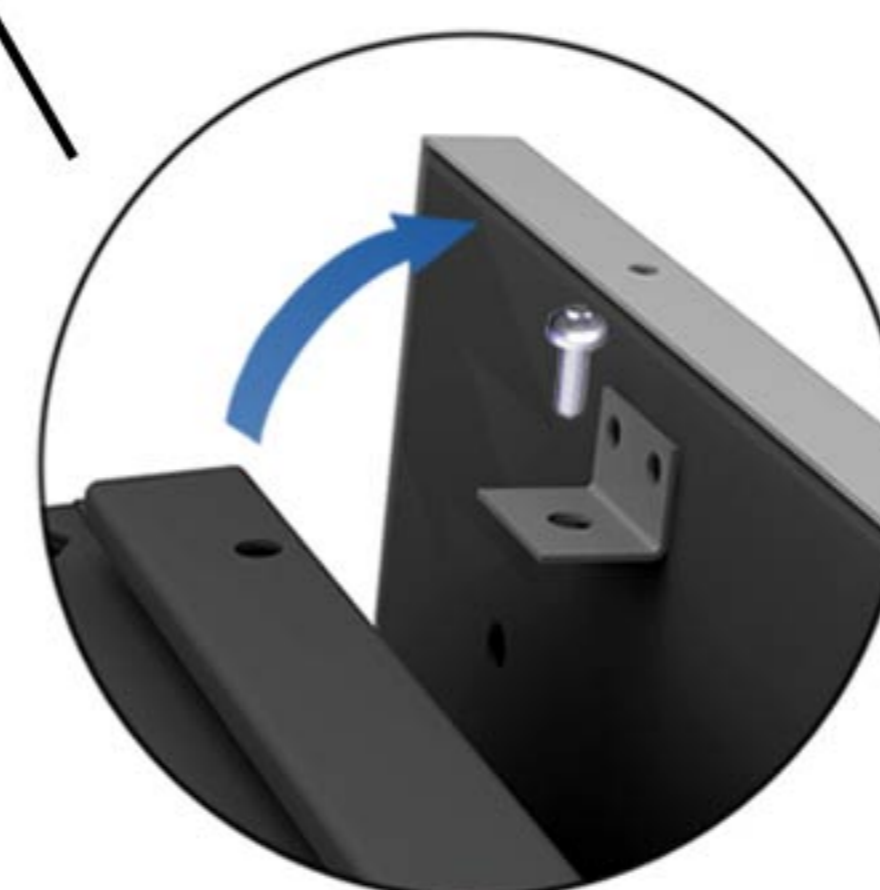


CLEVER

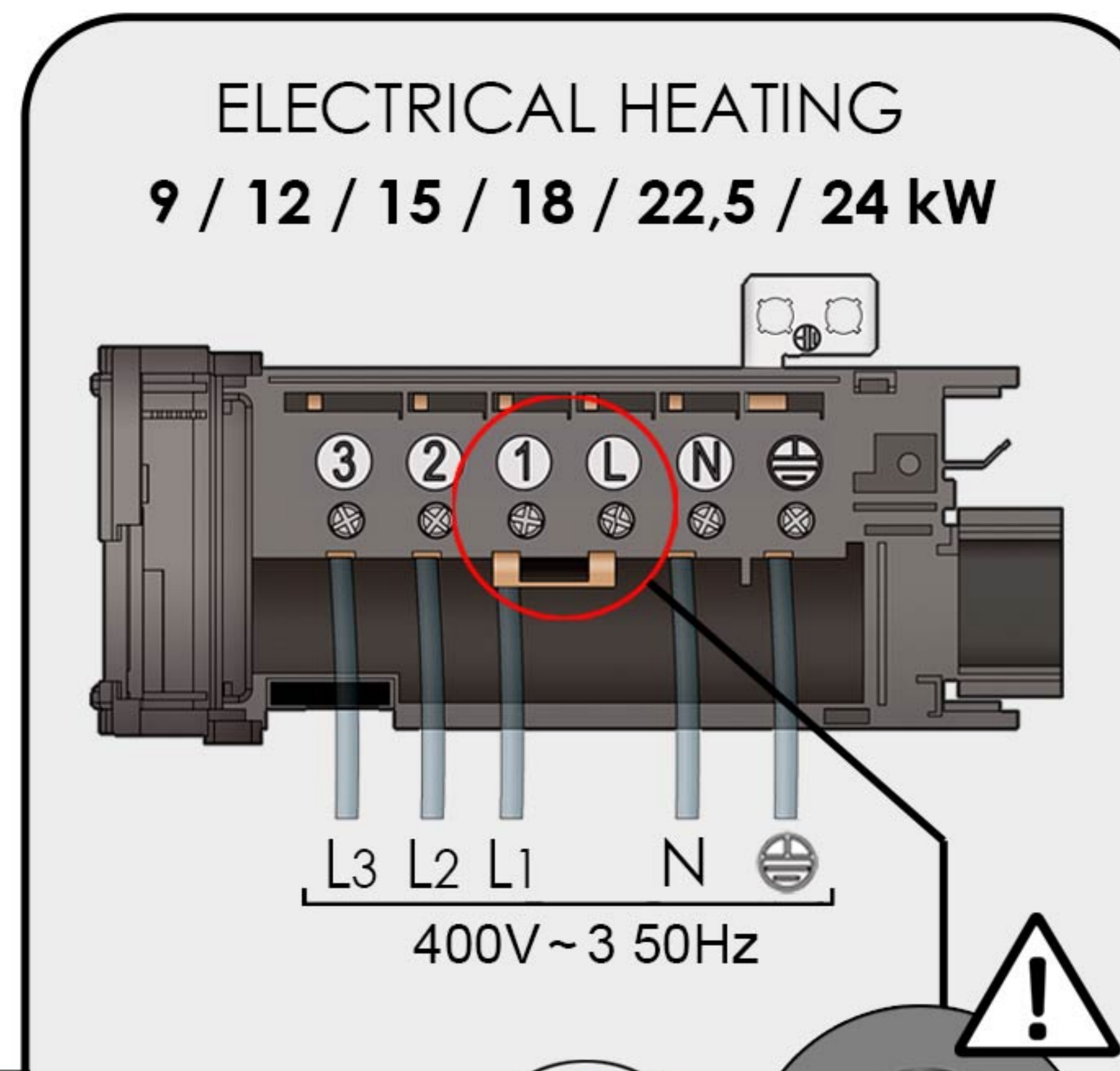
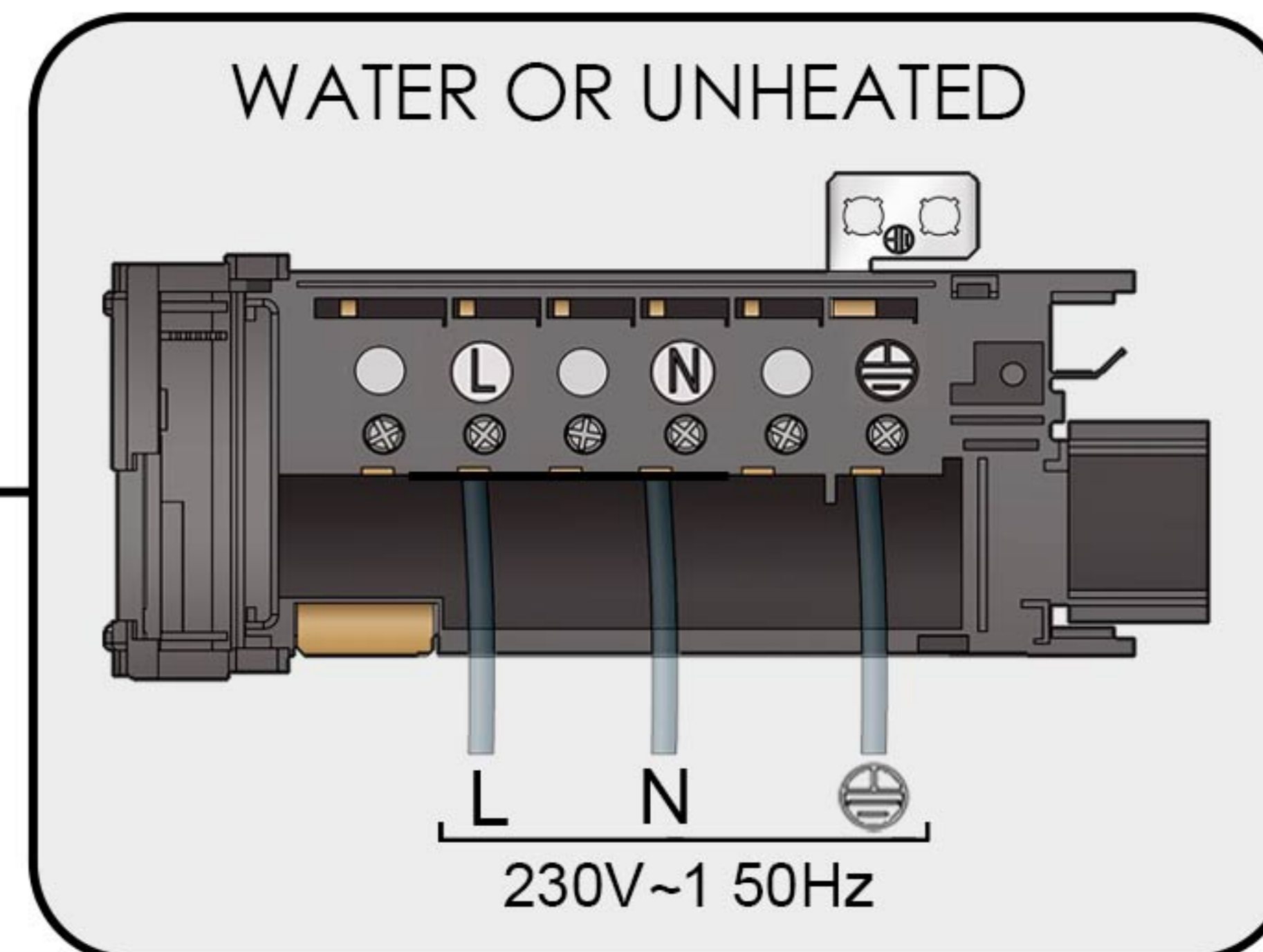
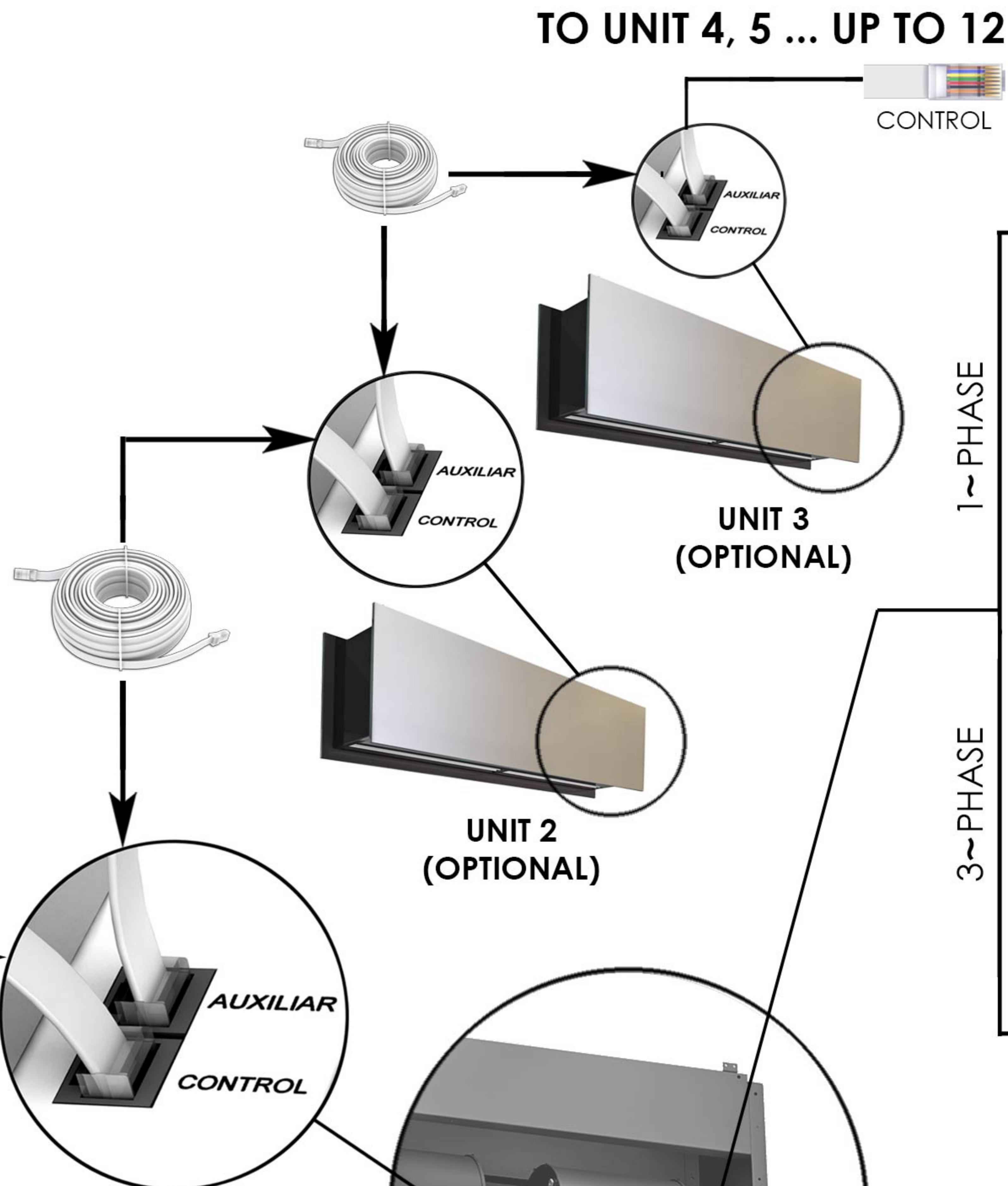
STANDARD



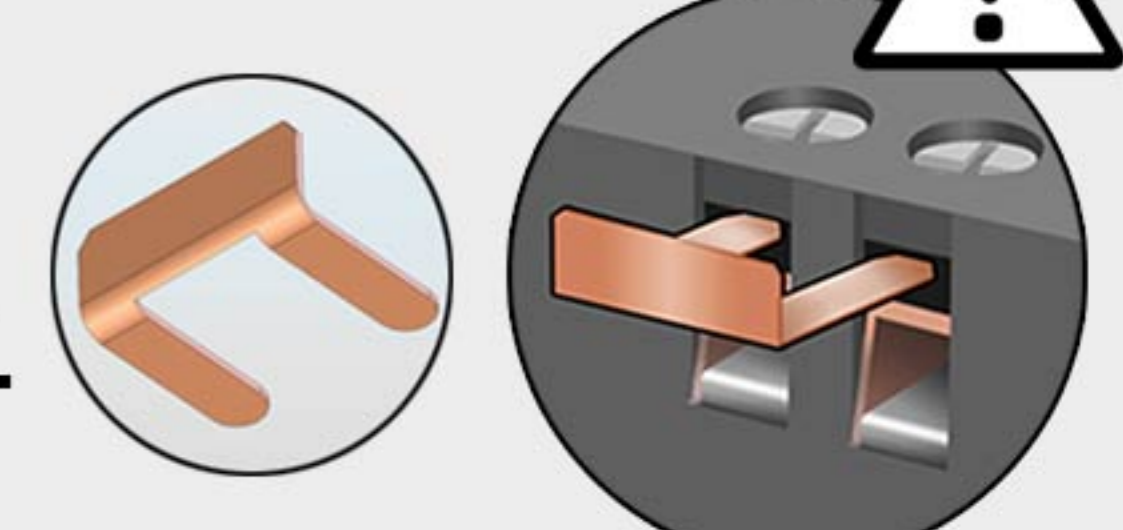
UNIT 1  
(MASTER)



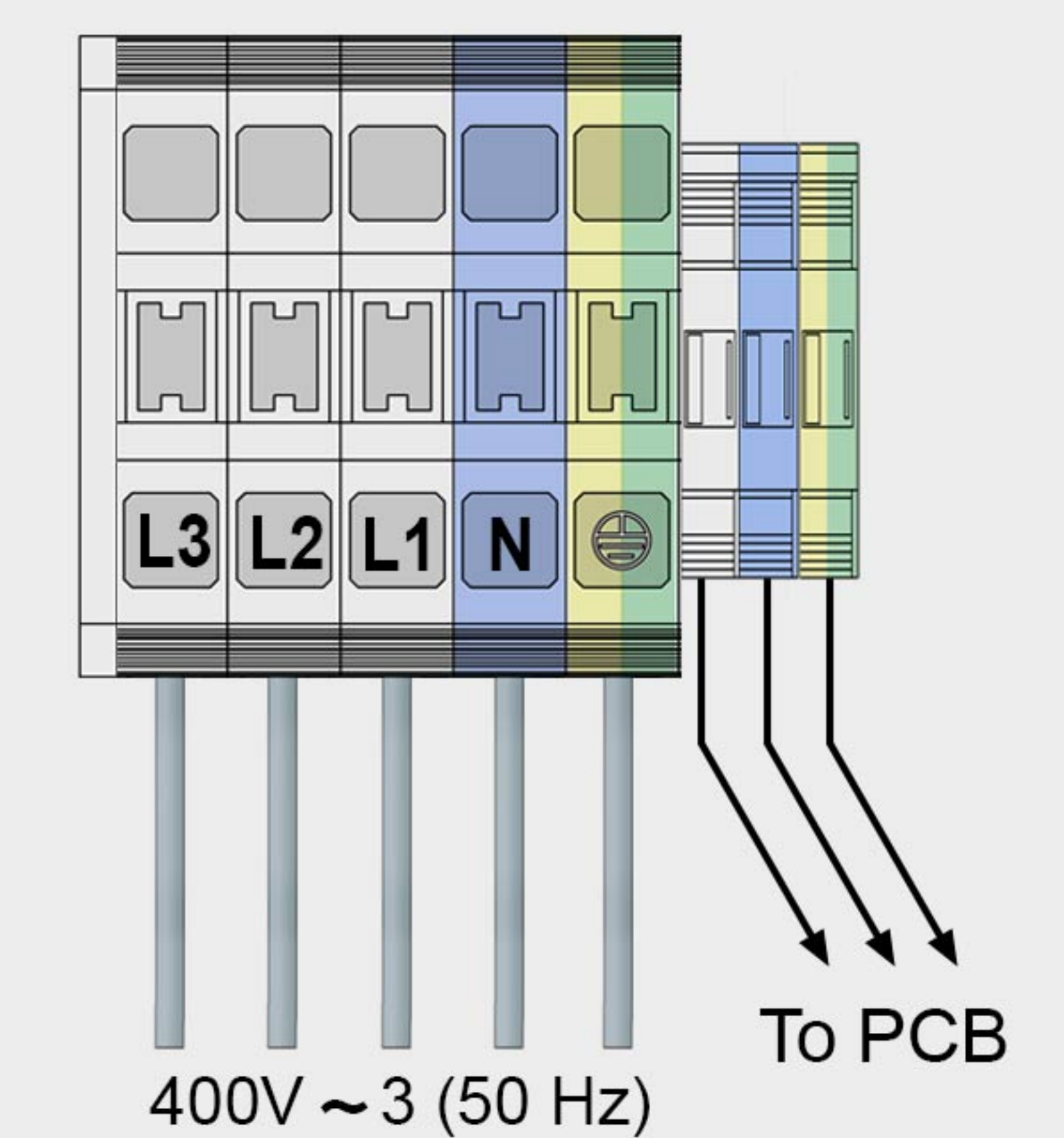
Remove the screws and open the door



**BONDING JUMPER 1-L**



**30 kW**



1~PHASE

3~PHASE