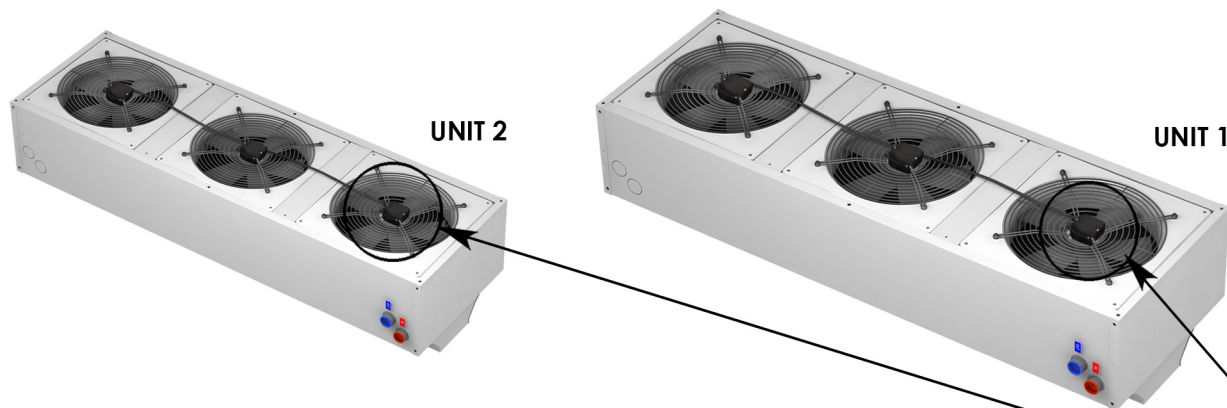
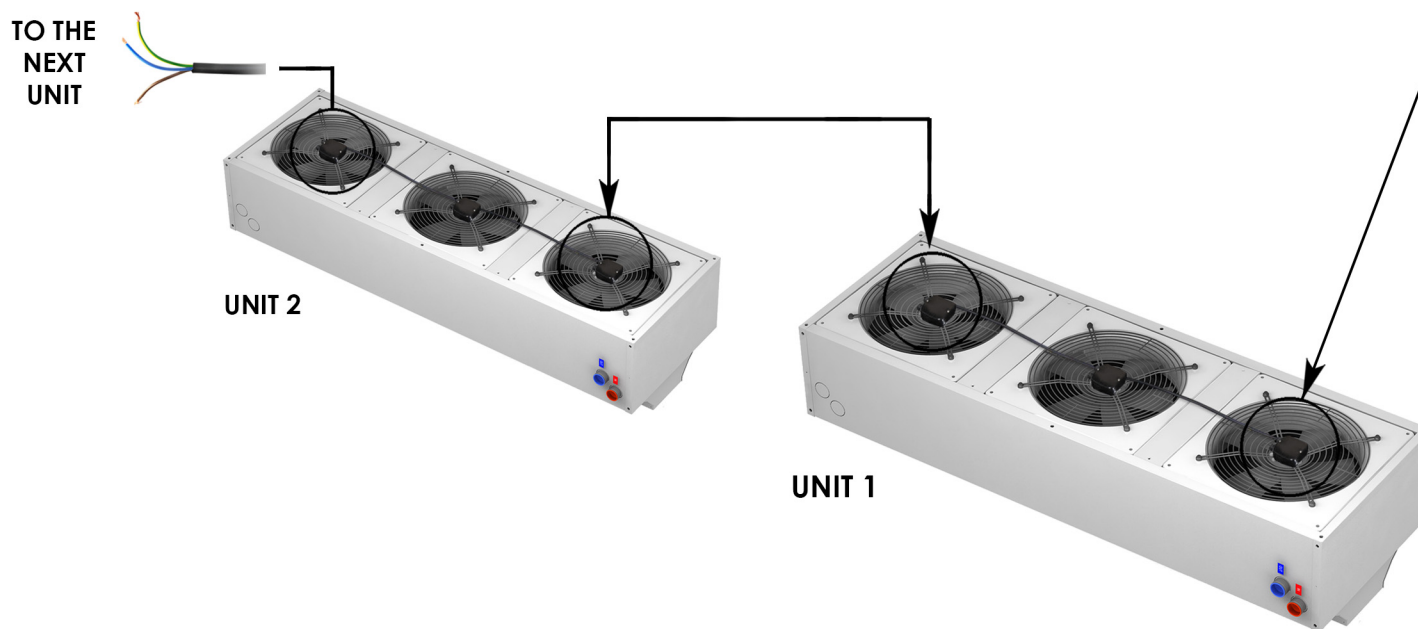


UNITS CONNECTION IN PARALLEL ⚠️ (NO UNITS LIMIT)



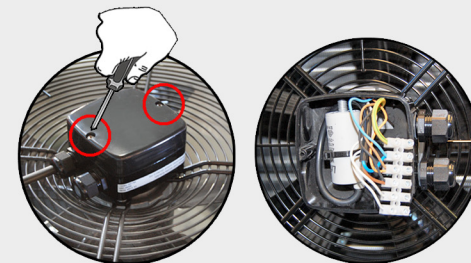
UNITS CONNECTION IN SERIAL ⚠️ (MAXIMUM 9 FANS)



CONNECTION BOX

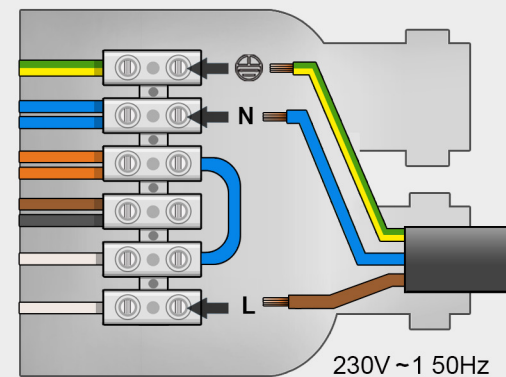
WATER OR UNHEATED

1-Open the connection box:



2-Connect the cables at the electrical element as the picture shows:

AC MODEL



EC MODEL

