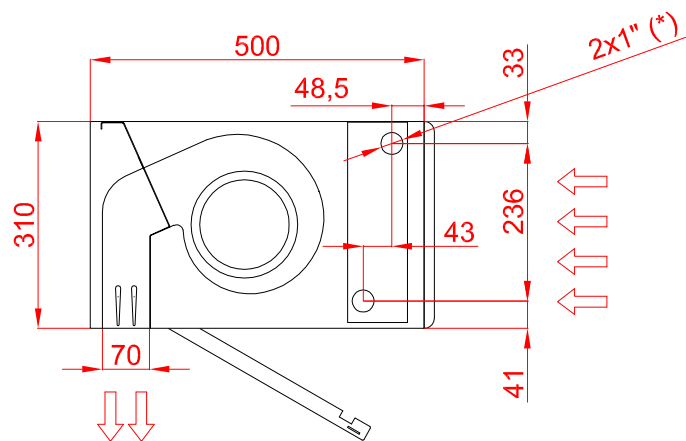
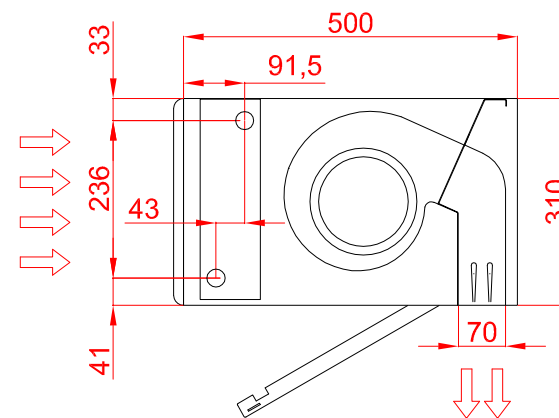


LEFT SIDE LATERAL PIPES POSITION



L	A	B
1000	920	-
1500	1420	710
2000	1920	960
2500	2420	1210
3000	2920	1460

RIGHT SIDE LATERAL PIPES POSITION



(\*) 2500 / 3000: P54 - 2x1 1/4"