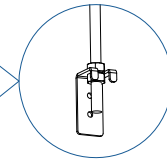
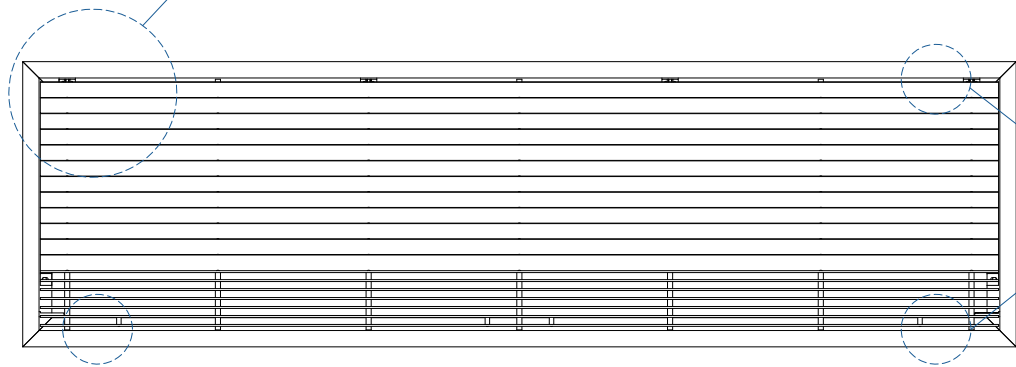
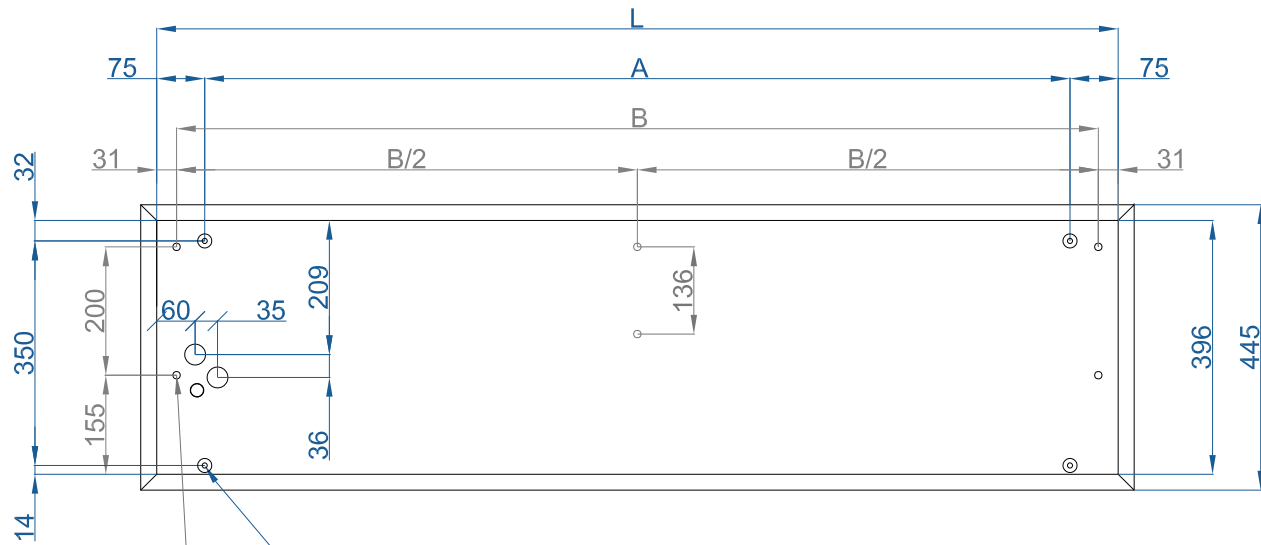
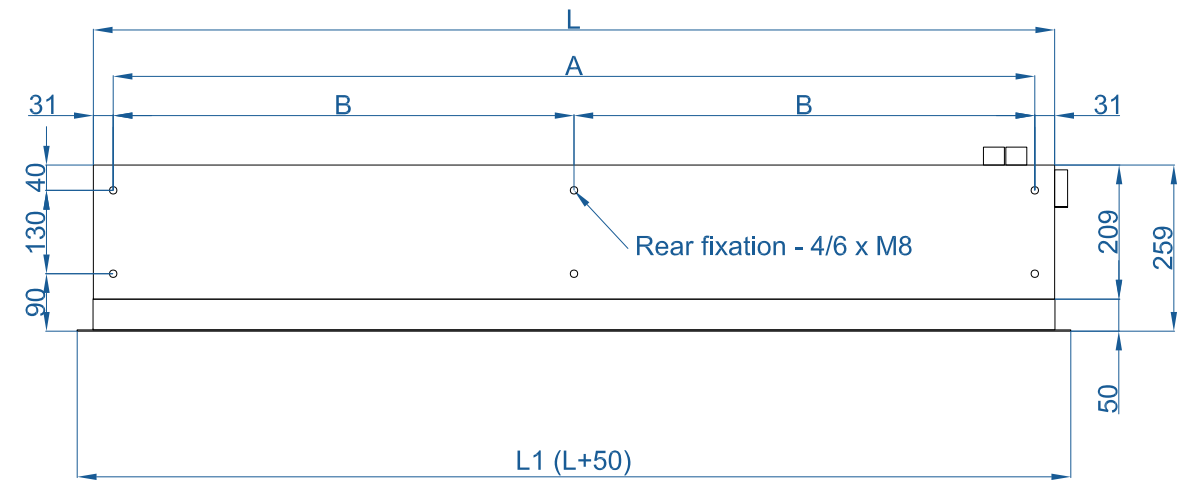
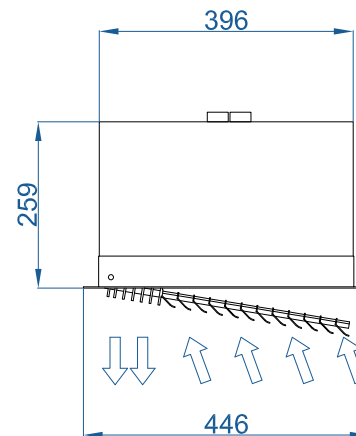
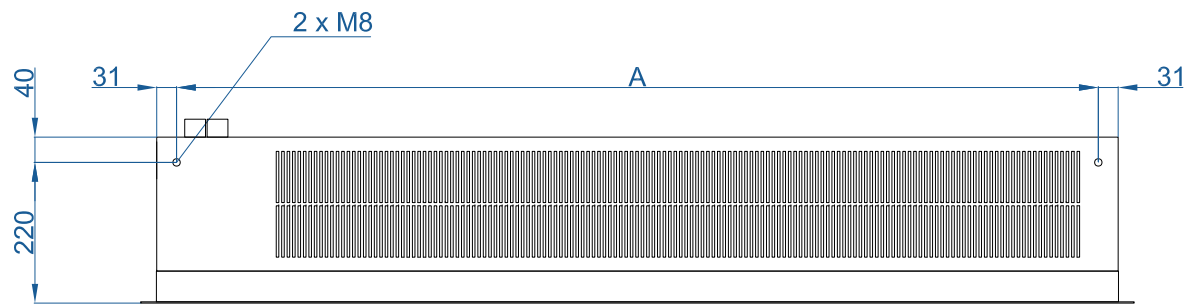


Internal electrical connections of the junction box and the internal PC, accessible opening the service grille.



4x M8 Internal brackets for holding the fastening rods, accessible opening the service grille.



Hanging fixation 1 (by default) - 4 x M8 Through-holes for routing the fasteners to the interior.

Hanging fixation 2 (optional) - 4/6 x M8 Holes for external fastening.

	L	L1	A	B	B/2
RA 1000 A, P, E	1000	1050	850	938	-
RA 1500 A, P, E	1500	1550	1350	1438	-
RA 2000 A, P, E	2000	2050	1850	1938	969